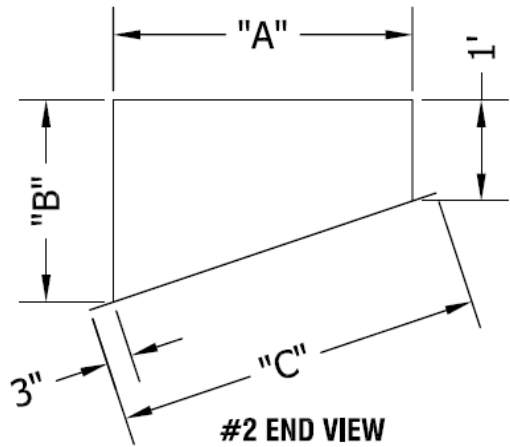
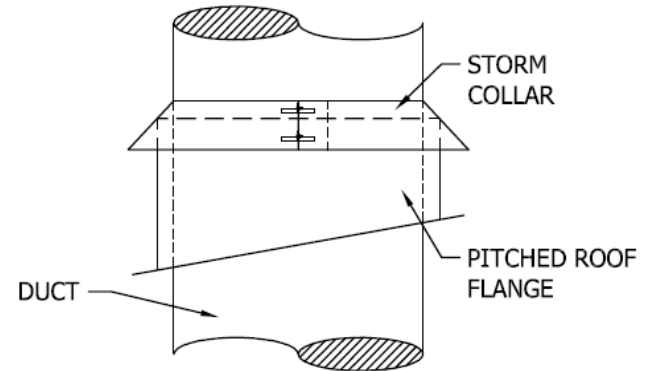
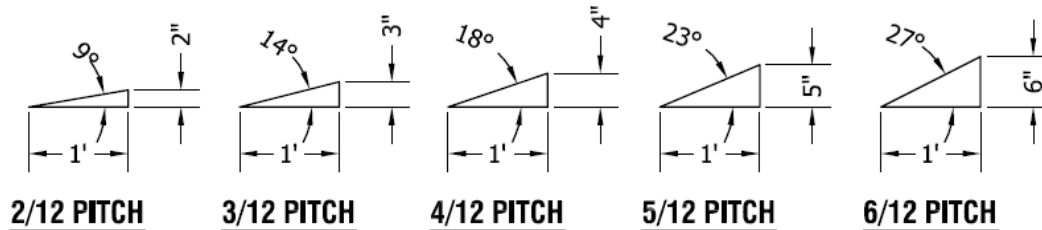
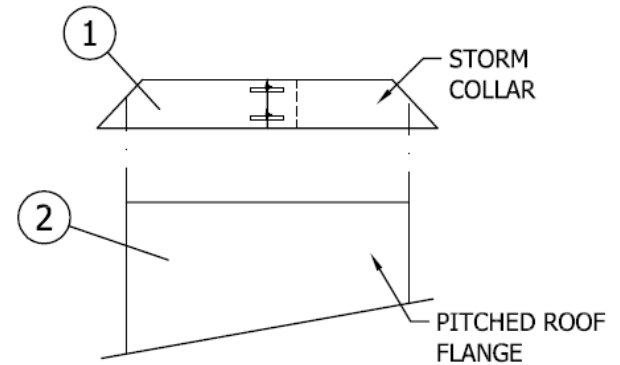


#1 END VIEW



#2 END VIEW



ASSEMBLED VIEW

PITCHED ROOF FLANGE

ITEM #	DUCT SIZE	2 TO 12					3 TO 12		4 TO 12		5 TO 12		6 TO 12		"D"	"E"
		"A"	"B"	"C"	"B"	"C"	"B"	"C"	"B"	"C"	"B"	"C"	"B"	"C"		
PRFS14	14"	18 5/8"	15 1/8"	24 7/8"	16 11/16"	25 3/16"	18 3/16"	25 5/8"	19 3/4"	26 3/16"	21 5/16"	26 13/16"	14"	25"		
PRFS18	18"	22 5/8"	15 3/4"	28 15/16"	17 11/16"	29 5/16"	19 9/16"	29 7/8"	21 7/16"	30 1/2"	23 5/16"	31 5/16"	18"	29"		
PRFS24	24"	28 5/8"	16 3/4"	35"	19 3/16"	35 1/2"	21 9/16"	36 3/16"	23 15/16"	37"	26 5/16"	38"	24"	35"		
PRFS30	30"	35"	18"	42 1/2"	21"	43 1/8"	24"	43 15/16"	27"	45"	30"	46 1/4"	30"	41"		
PRFS42	42"	48"	20"	54 11/16"	24"	55 1/2"	28"	56 5/8"	32"	58"	36"	59 11/16"	42"	53"		
PRFS48	48"	54"	21"	60 3/4"	25 1/2"	61 11/16"	30"	62 15/16"	34 1/2"	64 1/2"	39"	66 3/8"	48"	59"		



DESIGN: manual standard parts catalog for pitched roof flashing		PART NUMBER	
DRAWN BY: PAUL WELCH	DATE: 4/18/2007	PRF	POWER VIEW
PLT DATE: 4/18/2007	REFERENCE:	STANDARD CATALOG ITEM	
ORDER DATE:	DATE:	CUSTOMER PO#:	DWG NO:
			PITCHED ROOF FLASHING.DWG
SCALE: NTS			SHEETS: 1 OF 1

All drawings, sketches and/or specifications accompanying or attached to these quotes are the property of Paint Booth Technologies. If the said quote(s) of Paint Booth Technologies are not accepted the said drawings, etc. shall be returned to Paint Booth Technologies. All digital data is issued for information only. You should use this data for reference purposes only to assist in coordinating your work and is supplementary to formally issued paper drawings. In all instances the contract issue drawings govern. It is the responsibility of the recipient to check all digital information against the contract documentation. Paint Booth Technologies accepts no liability or responsibility for any loss or damage suffered as a result of (or in connection with) the use or misuse of the CAD data supplied for information only. Once the data is introduced into your own CAD or other system, Paint Booth Technologies can take no responsibility for its accuracy.