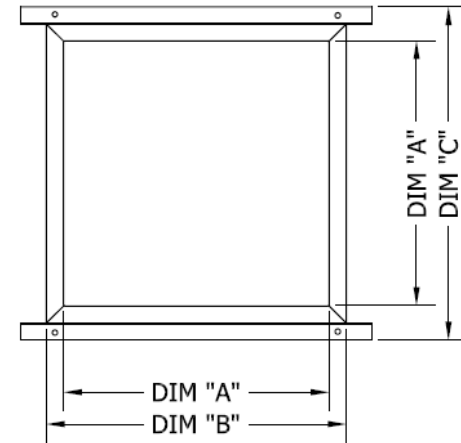
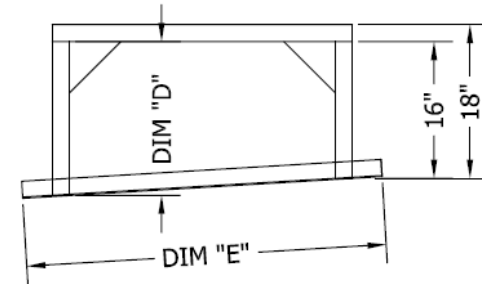


ISO ELEVATION



PLAN VIEW



SIDE ELEVATION

PITCHED ROOF FAN STAND

ITEM #	FAN SIZE	"A"	"B"	"C"	"D" DIM FOR PITCH					"E"
					1 TO 12	2 TO 12	3 TO 12	4 TO 12	5 TO 12	
PFS14	14"	14 7/8"	18 5/8"	22 5/8"	17 1/2"	19"	20 1/2"	22 1/4"	23 3/4"	24"
PFS18	18"	18 7/8"	22 5/8"	26 5/8"	18"	19 3/4"	21 3/4"	23 5/8"	25 1/2"	30"
PFS24	24"	24 7/8"	28 5/8"	32 5/8"	18 1/2"	20 3/4"	23 1/4"	25 5/8"	28"	36"
PFS30	30"	30 7/8"	34 5/8"	38 5/8"	19"	21 3/4"	24 3/4"	27 5/8"	30 1/2"	42"
PFS42	42"	42 7/8"	46 5/8"	50 5/8"	20"	23 3/4"	27 3/4"	31 5/8"	35 1/2"	54"
PFS48	48"	48 7/8"	52 5/8"	56 5/8"	20 1/2"	24 3/4"	29 1/4"	33 5/8"	38"	60"



All drawings, sketches and/or specifications accompanying or attached to these quotes are the property of Paint Booth Technologies. If the said quote(s) of Paint Booth Technologies are not accepted the said drawings, etc. shall be returned to Paint Booth Technologies. All digital data is issued for information only. You should use this data for reference purposes only to assist in coordinating your work and is supplementary to formally issued paper drawings. In all instances the contract issue drawings govern. It is the responsibility of the recipient to check all digital information against the contract documentation. Paint Booth Technologies accepts no liability or responsibility for any loss or damage suffered as a result of (or in connection with) the use or misuse of the CAD data supplied for information only. Once the data is introduced into your own CAD or other system, Paint Booth Technologies can take no responsibility for its accuracy.

FILE LOCATION: H:\pbt\manual\standard parts\work\fan stands\dwg		DRAWN BY: JWH	
REV: 01	DATE: 4/17/07	PITCHED ROOF FAN STAND	
DESIGNER: JWH	DATE: 4/17/07	DISTRIBUTION:	
PLotted by: Paul Weich	LAST SAVED BY: JWH	STANDARD CATALOG ITEM	
LAST SAVED DATE: 4/17/2007	NO. OF: 1	CUSTOMER: -	FILE NAME: FAN STANDS.DWG
CHECK DATE:	DATE: 4/17/2007	CUSTOMER: -	ISSUE: 1 OF 1
ORDER DATE:	DATE: 4/17/2007	CUSTOMER: -	ISSUE: 1 OF 1
NO:	SCALE: NTS	DATE: 11x17	ISSUE: 1 OF 1