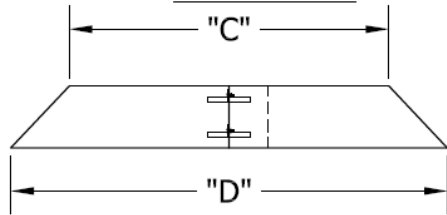
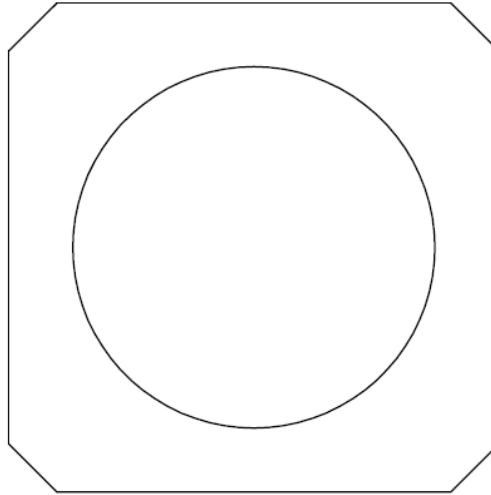


SLIP FIT DESIGN
WITH BRACKET, BOLT
AND NUT

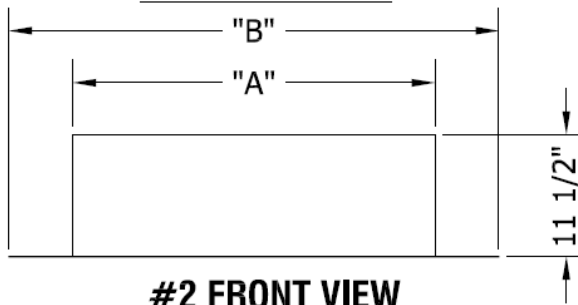
**#1 PLAN VIEW
STORM COLLAR**



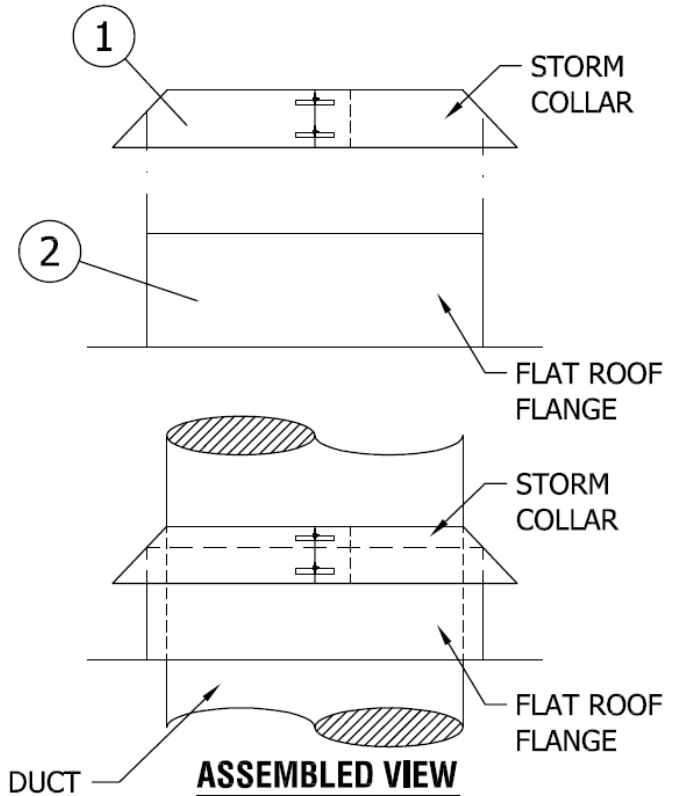
**#1 FRONT VIEW
STORM COLLAR**



**#2 PLAN VIEW
FLAT ROOF FLASHING**



**#2 FRONT VIEW
FLAT ROOF FLASHING**



ASSEMBLED VIEW

FLAT ROOF FLANGE				
STACK DIA.	"A"	"B"	"C"	"D"
14"	18"	24"	14"	21"
18"	22"	34"	18"	25"
24"	28"	40"	24"	31"
30"	34"	46"	30"	37"
42"	46"	58"	42"	49"

paintbooth
TECHNOLOGIES .com

FILE NAME: Resources\Drawings\frf.dwg	DRAWING NUMBER: FRF
USER NAME: DRAWN BY: PAUL WELCH	DESCRIPTION: FLAT ROOF FLASHING
DATE: 5/25/2006	WITH STORM COLLAR
PLOT DATE: 9/18/2006	SIZE: FULLSTORY.PEAK
CHECK DATE: 5/18/06	DRAWN BY: FRF,DWG
CUSTOMER: PART NUMBER:	SCALE: NTS
DESIGN DATE:	SHEET: 1 OF 1

All drawings, sketches and/or specifications accompanying or attached to these quotes are the property of Paint Booth Technologies. If the said quote(s) of Paint Booth Technologies are not accepted the said drawings, etc. shall be returned to Paint Booth Technologies. All digital data is issued for information only. You should use this data for reference purposes only to assist in coordinating your work and is supplementary to formally issued paper drawings. In all instances the contract issue drawings govern. It is the responsibility of the recipient to check all digital information against the contract documentation. Paint Booth Technologies accepts no liability or responsibility for any loss or damage suffered as a result of (or in connection with) the use or misuse of the CAD data supplied for information only. Once the data is introduced into your own CAD or other system, Paint Booth Technologies can take no responsibility for its accuracy.

9/18/2006 14:12:13